

LSR 2S

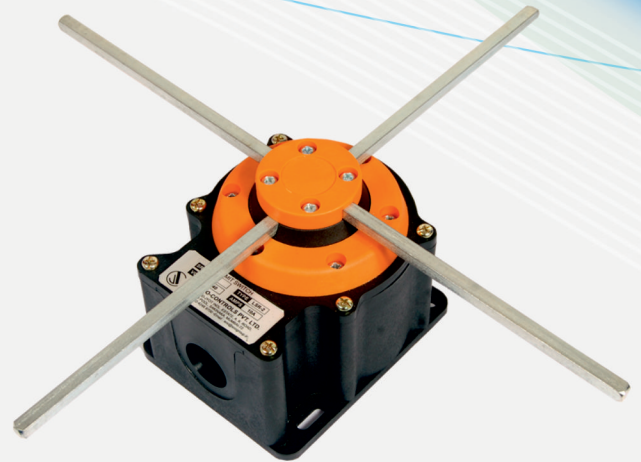
LSR Rotary Limit Switches

Introduction

The LSR 4 way switch operates the control change-over contacts of a motor of a moving equipment. When the moving equipment, operating with a load, actuates the 300mm rods of the Limit Switch, the NO/NC contact elements change-over to control the equipment's movement

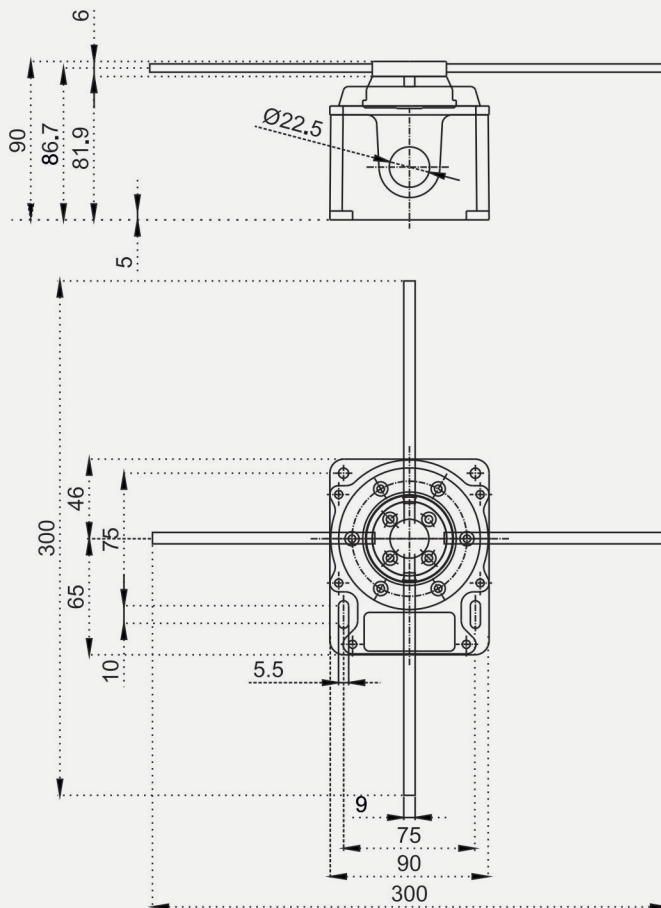
Operation

The contacts operate / change-over at 90° rotations. The limit switch has 4 position 0° - 90° - 180° - 270° operations used for single / two speed motor control. Control switch with 300 mm rods from 3 to 4 position with 2 or 4 contacts.

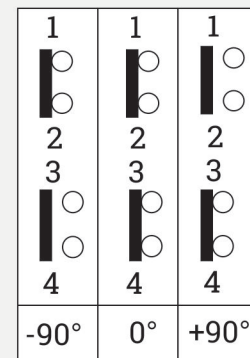


For single-speed motor control

Code	Description	Model
101500010001	3-position with mechanical interlock	LSR 2S



**Wiring Diagram
LSR 2S
With Mechanical Interlock**



Speed-O-Controls Pvt. Ltd.

H. O. Unit - I : C-15/16, Nand Jyot Industrial Estate,
Andheri-Kurla Road, Mumbai - 400072 ,
Tel : (022) 42469700-30, 28518512-3-4,
Fax : (022) 42469797/ 28518516,
E-mail : sales@socgroup.in

Unit - II: Plot No. 4912, G. I. D. C., Phase IV,
Vatva, Ahmedabad - 382445
Tel.: (079) 40083201/2/3/4,
Fax : (079) 25841056,
E-mail : sales.amd@socgroup.in

Visit us at :
www.speedocontrols.com
www.socremote.com