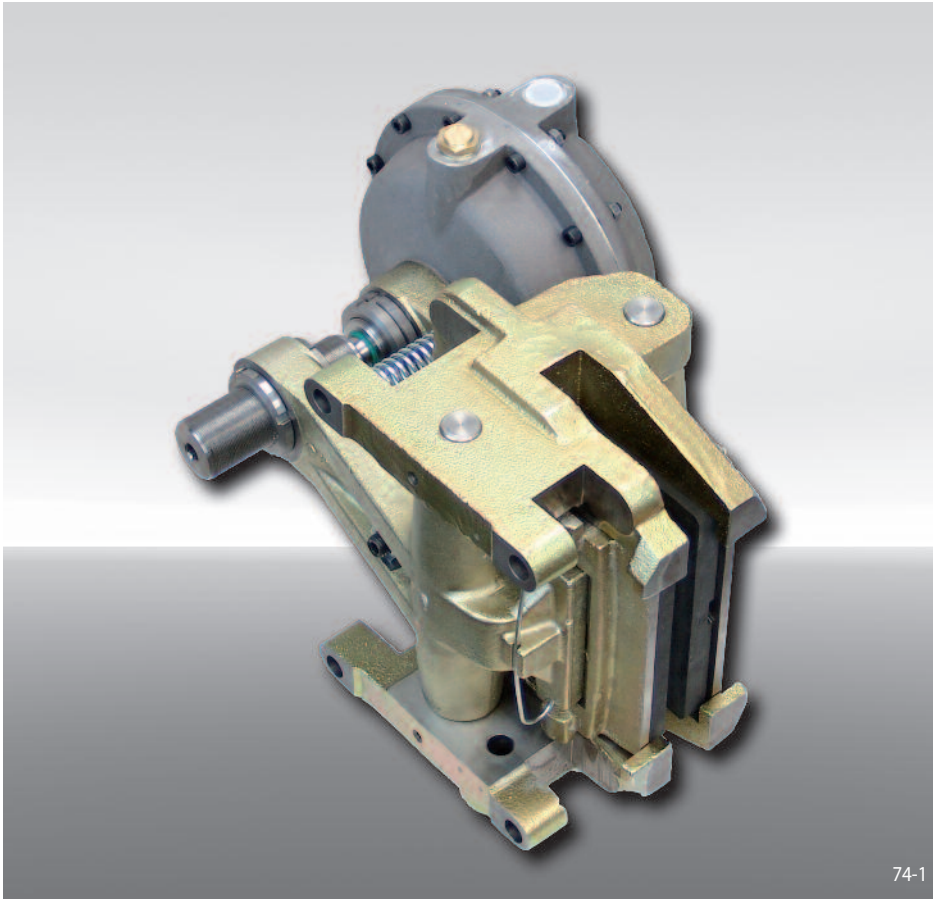


# Brake Caliper DU 060 PFM

pneumatically activated – spring released



## Features

Features	Code
Brake Caliper	D
Mounting to the machine, can be made either parallel or at the right angles to the brake disc	U
Frame size 060	060
Pneumatically activated	P
Spring released	F
Manual adjustment to accommodate friction block wear	M
Thrusters 660 or 680 are available	660 680
Thruster mounted right or left available	R L
Thickness of brake disc 25 mm or 40 mm	25 40

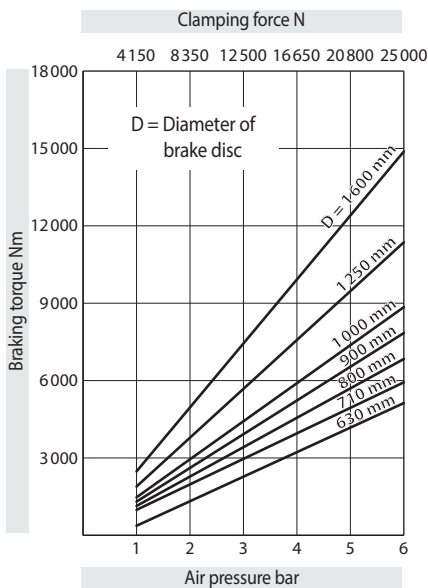
## Example for ordering

Brake Caliper DU 060 PFM, thruster 680, thruster mounted right, thickness of brake disc 25 mm:

DU 060 PFM - 680 R - 25

## Technical Data

Brake Caliper DU 060 PFM - 660



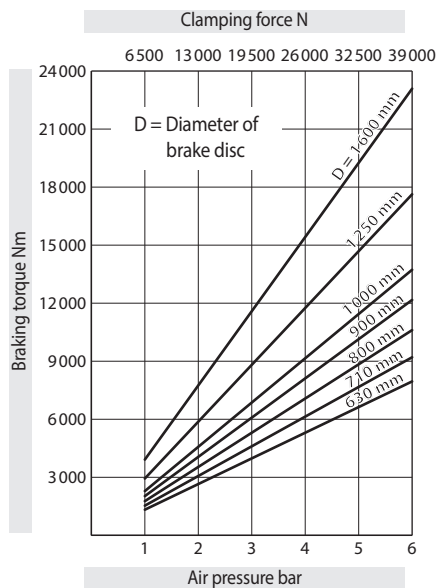
The braking torques shown in the diagram are based on a theoretical friction coefficient of 0,4.

Air pressure: max. 6 bar

Air volume: max. 450 cm<sup>3</sup> per activation

Weight: 54 kg

Brake Caliper DU 060 PFM - 680



The braking torques shown in the diagram are based on a theoretical friction coefficient of 0,4.

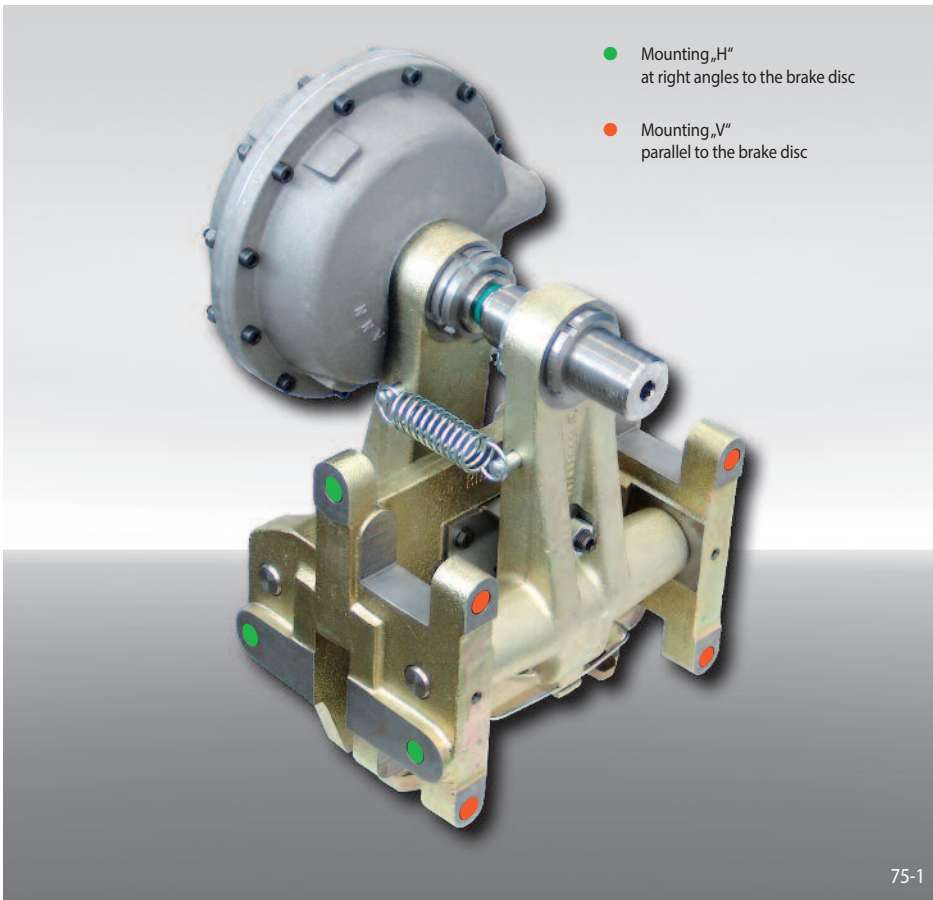
Air pressure: max. 6 bar

Air volume: max. 2.000 cm<sup>3</sup> per activation

Weight: 56 kg

# Brake Caliper DU 060 PFM

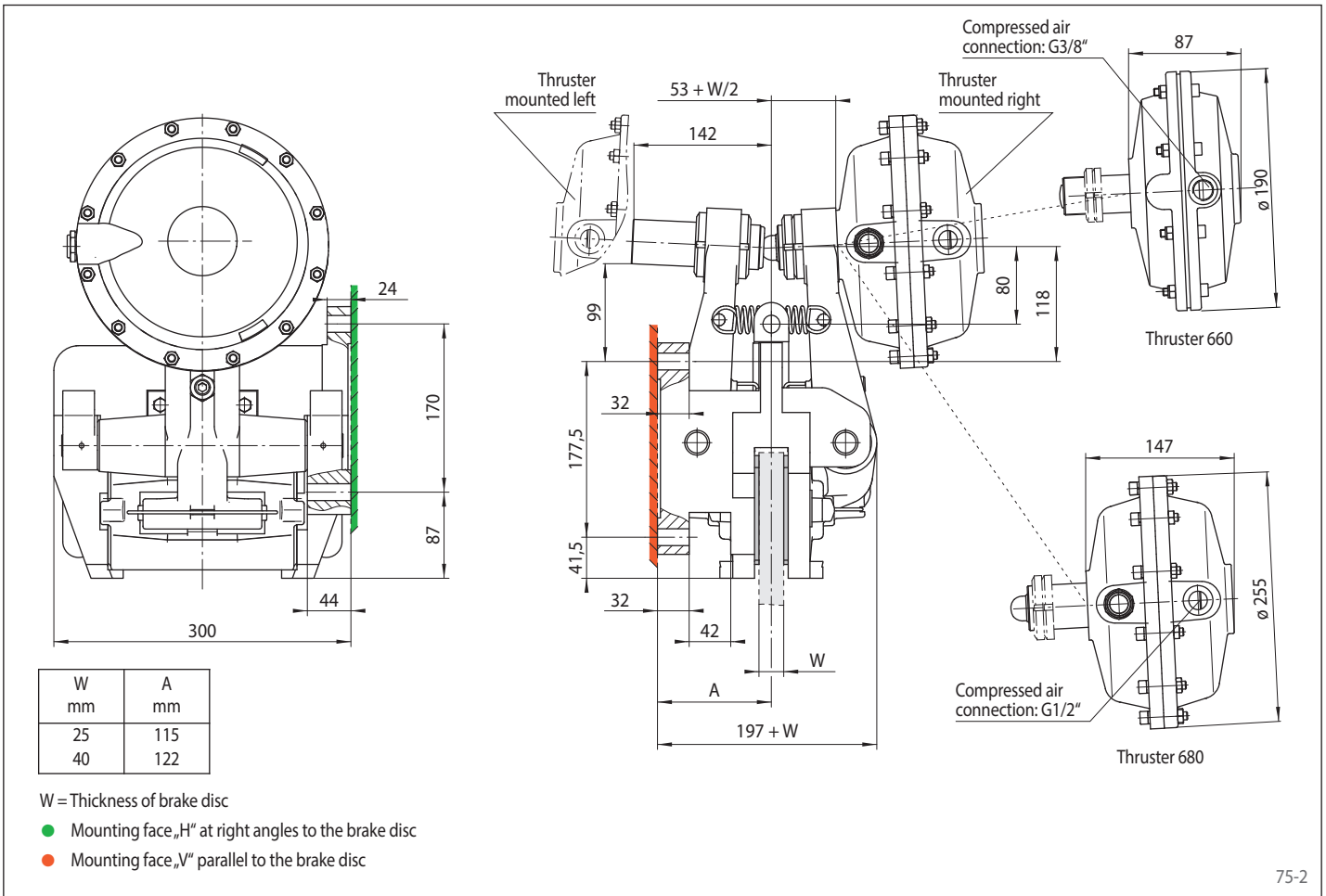
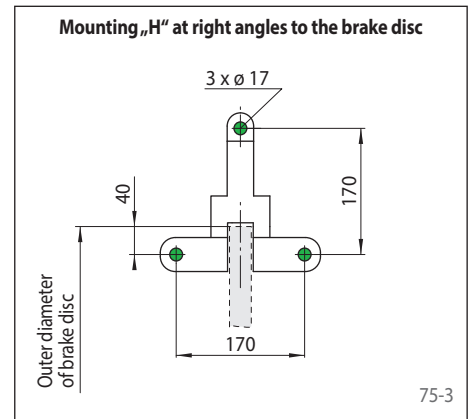
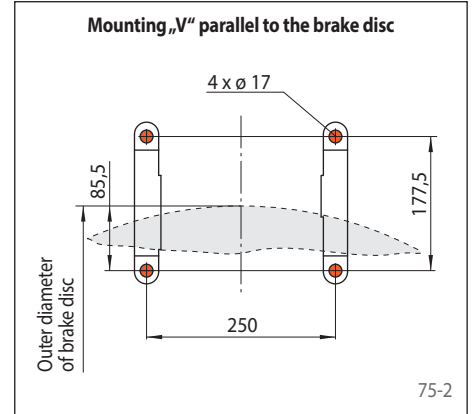
pneumatically activated – spring released



- Mounting „H“ at right angles to the brake disc
- Mounting „V“ parallel to the brake disc

75-1

## Frame Design



75-2