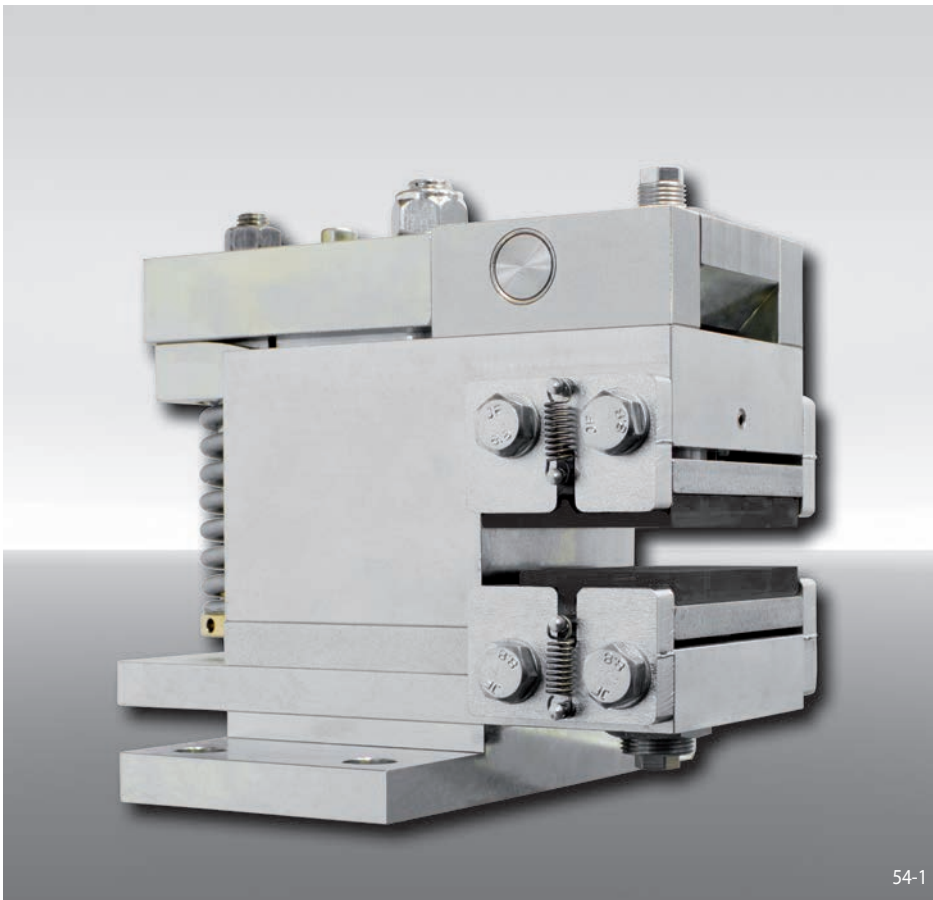


Brake Calipers EV 038 FEM and EH 038 FEM

spring activated – electromagnetically released



54-1

Features

Features	Code
Brake Caliper with electromagnet	E
Mounting to the machine parallel or at right angles to the brake disc	V H
Frame size 038	038
Spring activated	F
Electromagnetically released	E
Manual adjustment to accommodate friction block wear	M
Supply voltage 380/400/415 VAC, supply frequency 50 Hz or 60 Hz adjustable	400
Electromagnet mounted in central position	M
Thickness of brake disc 12,5 ... 20 mm or 22 ... 30 mm	12 25

Example for ordering

Brake Caliper EV 038 FEM, supply voltage 400 VAC, electromagnet mounted in central position, thickness of brake disc 25 mm:

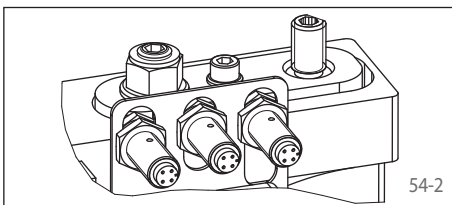
EV 038 FEM - 400 M - 25

Advantages

The brake caliper EV 038 FEM or EH 038 FEM is a very compact and high efficient disc brake with very low power consumption. Its floating bearing compensates small misalignments of the brake disc. The attached electronic reduces automatically the power consumption in open position to 30 W.

Options

- Inductive proximity switch: "Brake released", "Brake closed"-status and/or "Friction block wear adjustment necessary"



54-2

Technical Data

Brake Calipers EV 038 FEM and EH 038 FEM with supply voltage 380/400/415 VAC	
Brake disc diameter	Braking torque
mm	Nm
430	2830
520	3550
630	4430
710	5070
800	5790
900	6590
Clamping force	20000 N
Clamping force or braking torque adjustable	60 - 100%
Power consumption in open position	30 W (100% duty factor)
Fuse rating	16A, time-lag
Switching frequency	240/h permanent activations at 20° C ambient temperature
Switching time*	at least 10 seconds
Weight	50 kg

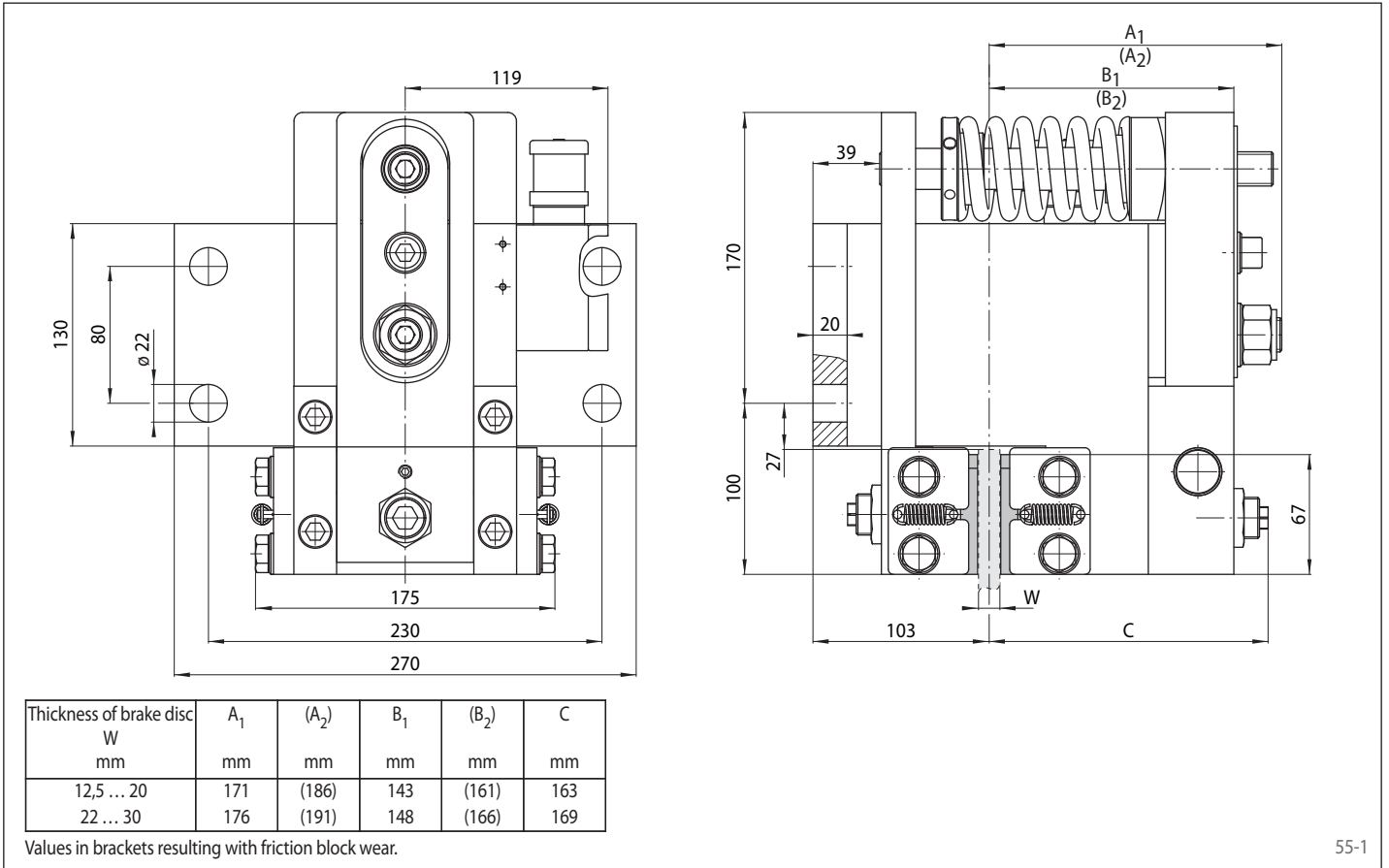
The braking torques shown in the table are based on a theoretical friction coefficient of 0,4.

* shorter switching time on request

Brake Calipers EV 038 FEM and EH 038 FEM

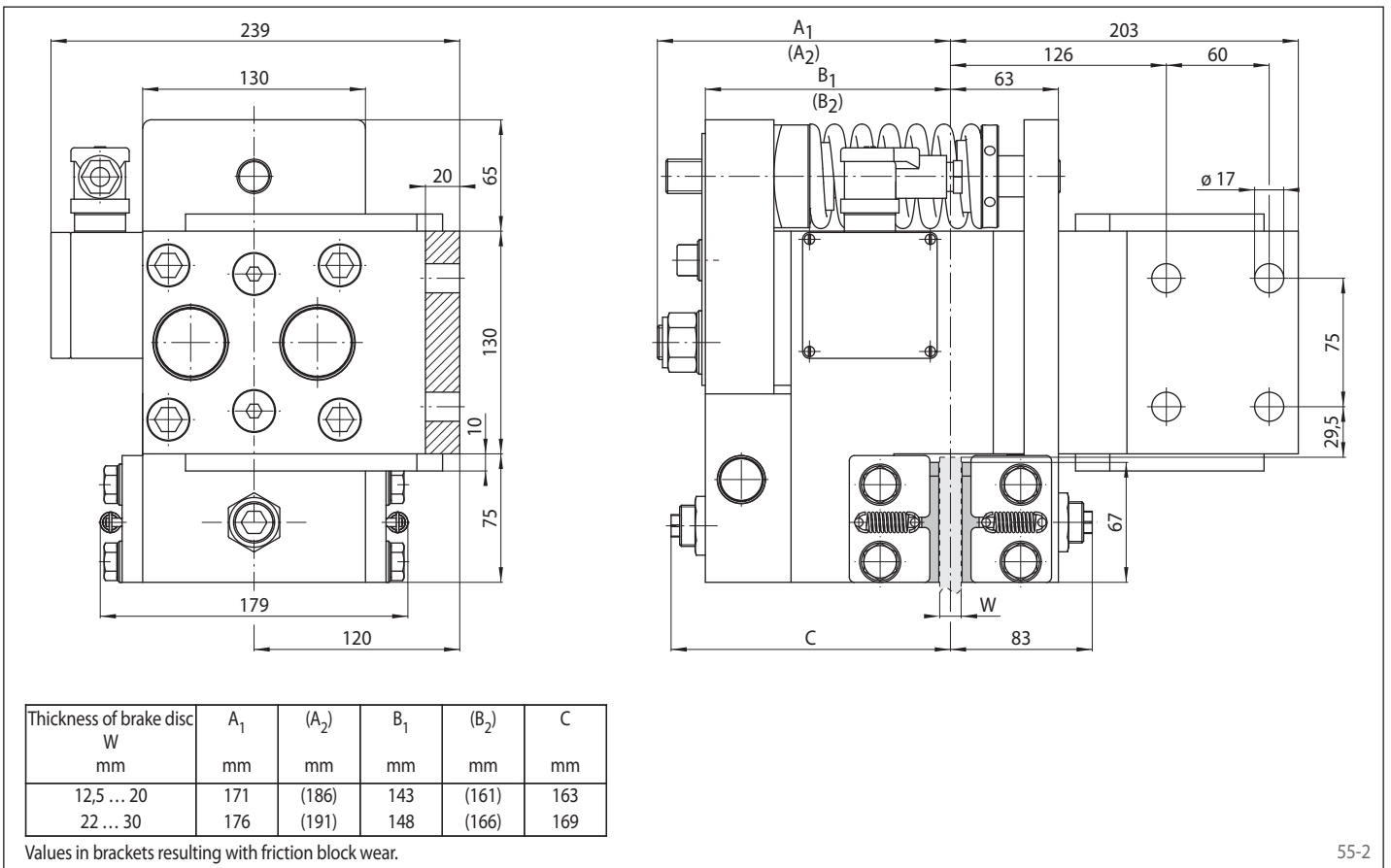
spring activated – electromagnetically released

Brake Caliper EV 038 FEM



55-1

Brake Caliper EH 038 FEM



55-2