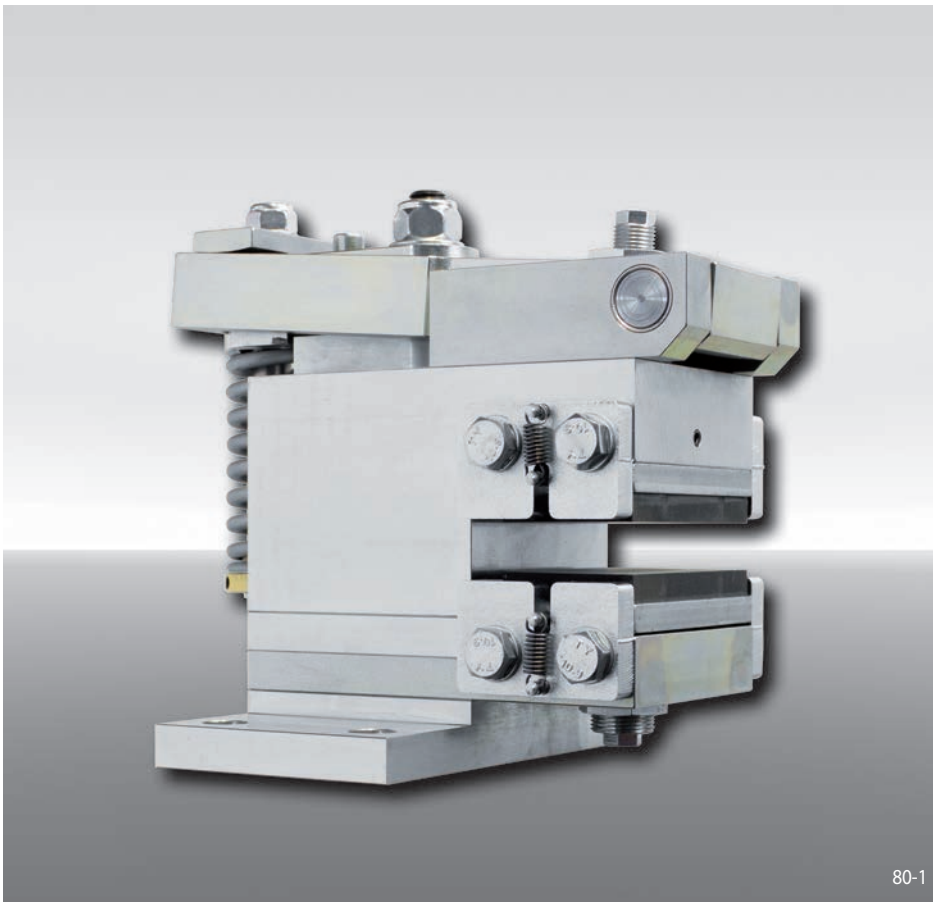


# Brake Calipers EV 028 EFM and EH 028 EFM

electromagnetically activated – spring released



80-1

## Features

Features	Code
Brake Caliper with electromagnet	E
Mounting to the machine parallel or at right angles to the brake disc	V H
Frame size 028	028
Electromagnetically activated	E
Spring released	F
Manual adjustment to accommodate friction block wear	M
Supply voltage 230 to 415 VAC, supply frequency 50 Hz or 60 Hz adjustable	400
Electromagnet mounted in central position	M
Thickness of brake disc 10 ... 16 mm or 18 ... 26 mm	12 25

## Example for ordering

Brake Caliper EV 028 EFM, supply voltage 400 VAC, electromagnet mounted in central position, thickness of brake disc 15 mm:

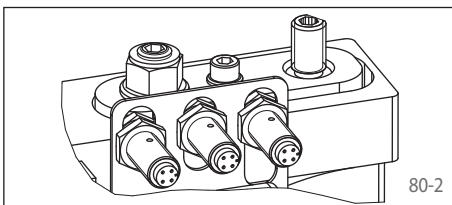
EV 028 EFM - 400 M - 12

## Advantages

The brake caliper EV 028 EFM or EH 028 EFM is a very compact and high efficient disc brake with very low power consumption. Its floating bearing compensates small misalignments of the brake disc. The attached electronic reduces automatically the power consumption in closed position to 20 W.

## Options

- Inductive proximity switch: "Brake released", "Brake closed"-status and/or "Friction block wear adjustment necessary"



80-2

## Technical Data

	Brake Calipers EV 028 EFM and EH 028 EFM with supply voltage	
	230/240 VAC	380/400/415 VAC
Brake disc diameter	Braking torque	Braking torque
mm	Nm	Nm
300	700	1170
355	870	1450
430	1090	1820
520	1360	2270
630	1690	2820
710	1930	3220
Clamping force	7500 N	12500 N
Clamping force or braking torque adjustable	70 - 100%	70 - 100%
Power consumption in closed position	20 W (100% duty factor)	
Fuse rating	16A, time-lag	
Switching frequency	240/h permanent activations at 20° C ambient temperature	
Switching time*	at least 10 seconds	
Weight	24 kg	

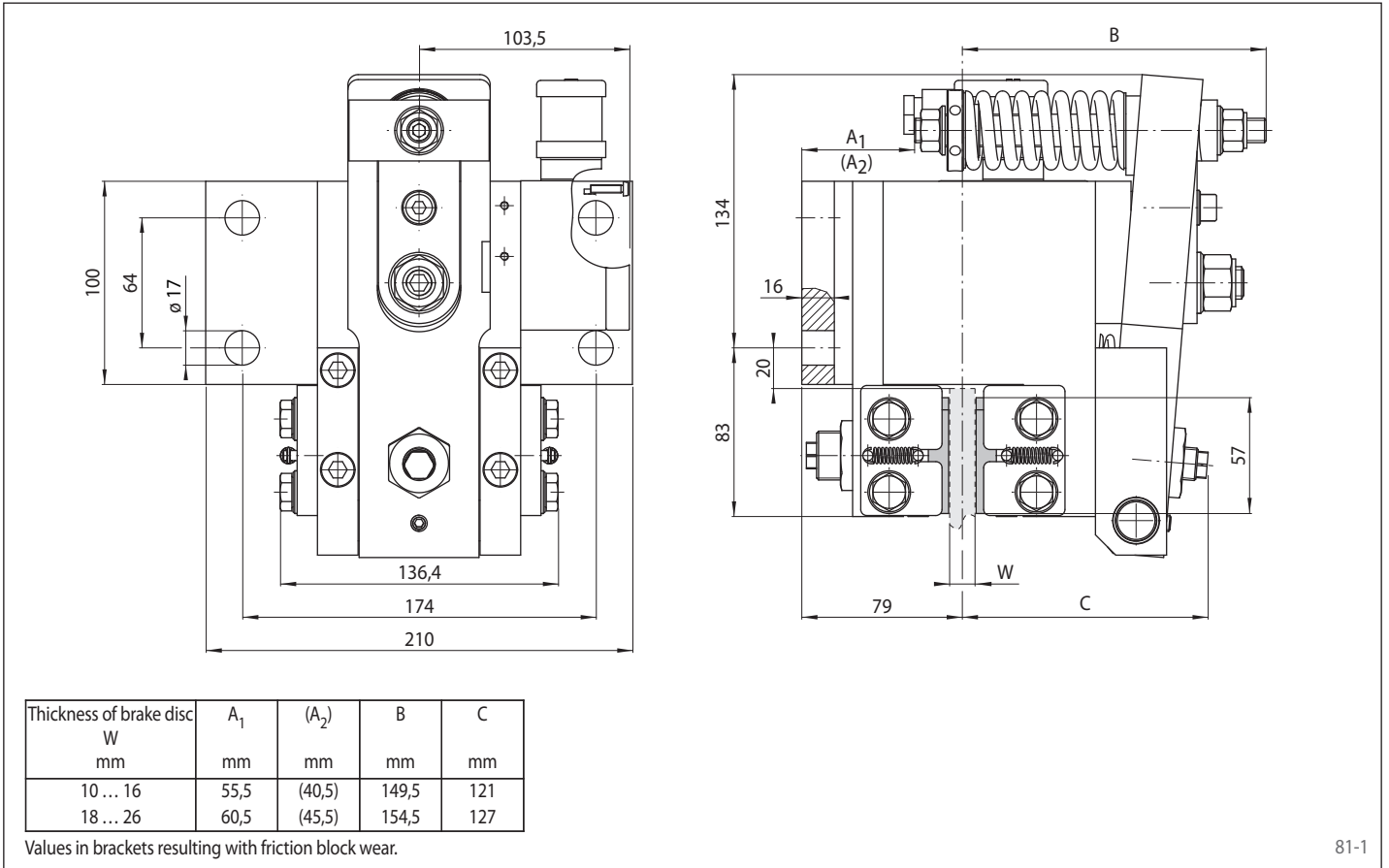
The braking torques shown in the table are based on a theoretical friction coefficient of 0,4.

\* shorter switching time on request

# Brake Calipers EV 028 EFM and EH 028 EFM

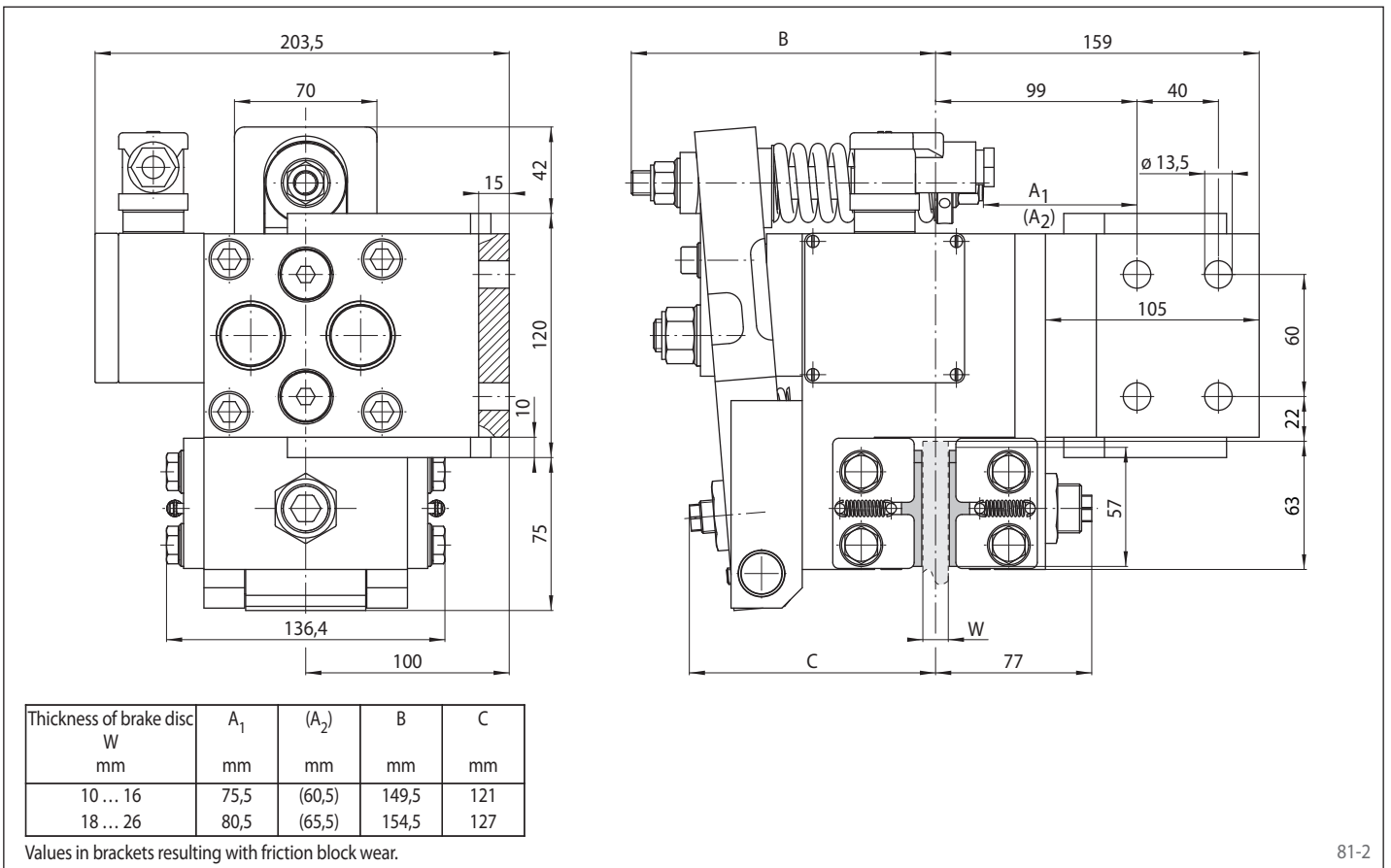
electromagnetically activated – spring released

## Brake Caliper EV 028 EFM



81-1

## Brake Caliper EH 028 EFM



81-2