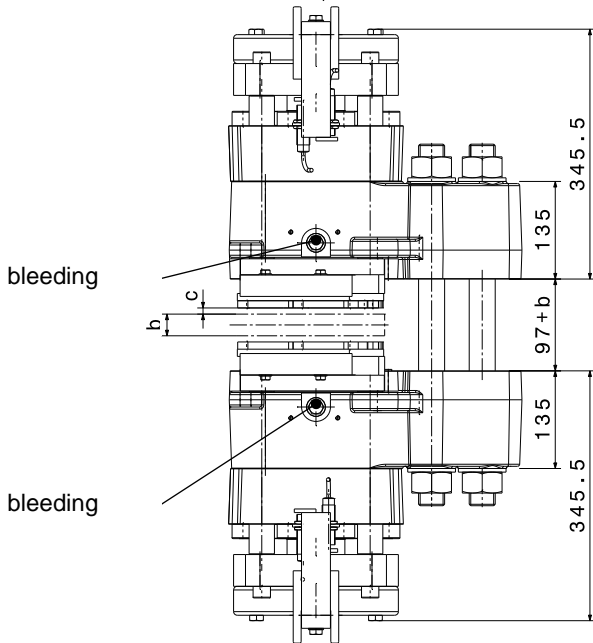
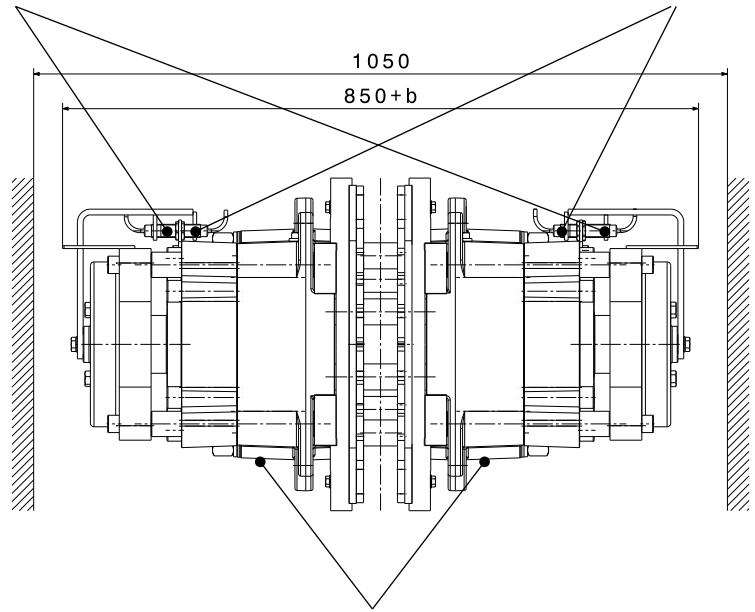
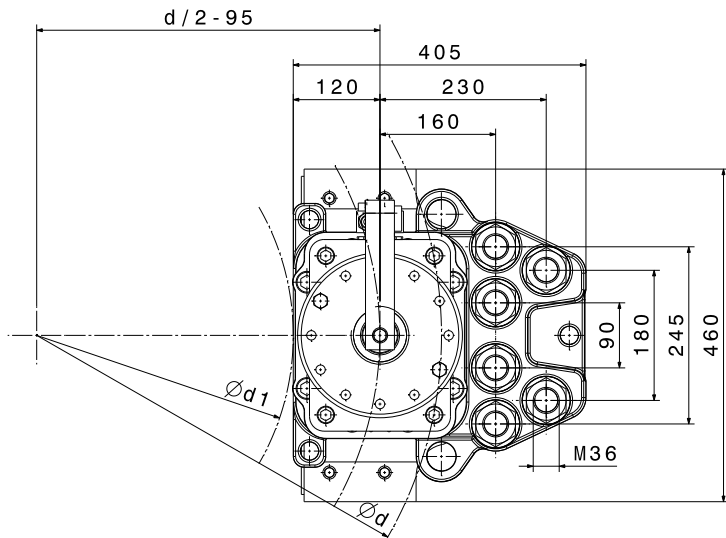


optional limit switch: brake open / closed

optional limit switch: lining wear



SHI-Type		231	232	
Clamping Force F_A				
F_A	with airgap $c = 2 \text{ mm}$	kN	240	300
F_A	with airgap $c = 3 \text{ mm}$	kN	225	270
Torque Calculation				
M_{Br}	braking torque	Nm	$2 \times F_A \times \mu \times (d/2-95)$	
Hydraulic				
P_L	release pressure	bar	130	170
P_{max}	max. pressure	bar	175	205
V_{max}	volumen at $c = 2,0 \text{ mm}$	ltr	0,102	
Brake Discs				
b	disc thickness	mm	≥ 20	
d	disc- \emptyset	mm	≥ 1100	
d_1	max. hub or drum- \emptyset	mm	$d-440\text{mm}$	
Dimensions				
$L \times B \times H = 405 \times (850+b) \times 460 \text{ mm}$				
weight: 415 kg				

Mounting Studs		
n	quantity	6
	size, grade	M36, 12.9
M_A	fastening torque	Nm 4000 at $\mu=0,14$
Linings		
	material	sinter
	friction coefficient*	0,4

*average friction coefficient with standard material combination and a circumferential speed up to 15 m/s