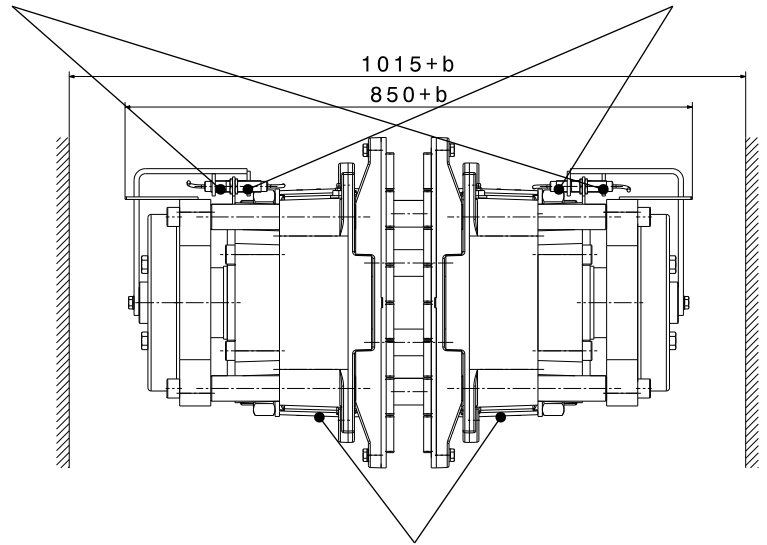
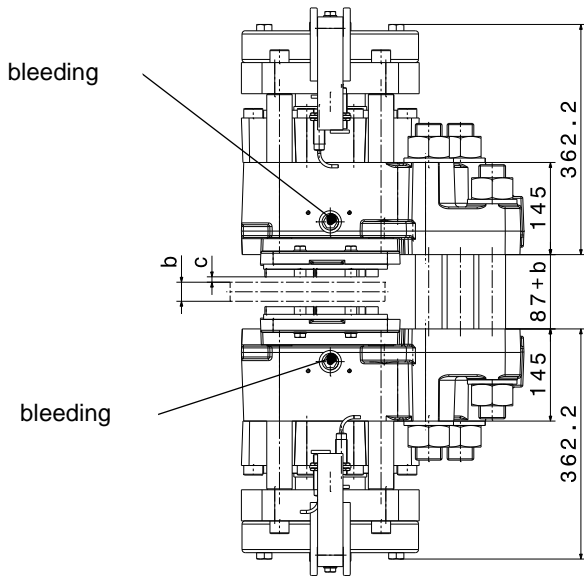


optional limit switch: brake open / closed

optional limit switch: lining wear



hydraulic connection G 1/2"



Mounting Studs			
n	quantity	6	
	size, grade	M42, 12.9	
M _A	fastening torque	Nm	6000 at μ=0,14
Linings			
	material	sinter	
	friction coefficient*	0,4	

SHI-Type		251	252	
Clamping Force F _A				
F _A	with airgap c = 1 mm	kN	335	440
F _A	with airgap c = 2 mm	kN	302	400
F _A	with airgap c = 3 mm	kN	270	360
Torque Calculation				
M _{Br}	braking torque	Nm	2 x F _A x μ x (d/2-100)	
Hydraulic				
P _L	release pressure	bar	105	140
P _{max}	max. pressure	bar	150	175
V _{max}	volumen at c= 2,0 mm	ltr	0,142	
Brake Discs				
b	disc thickness	mm	≥ 20	
d	disc-Ø	mm	≥ 1200	
d ₁	max. hub or drum-Ø	mm	d-490mm	
Dimensions				
L x W x H = 440 x (850+b) x 520 mm				
weight: 610 kg				

*average friction coefficient with standard material combination and a circumferential speed up to 15 m/s