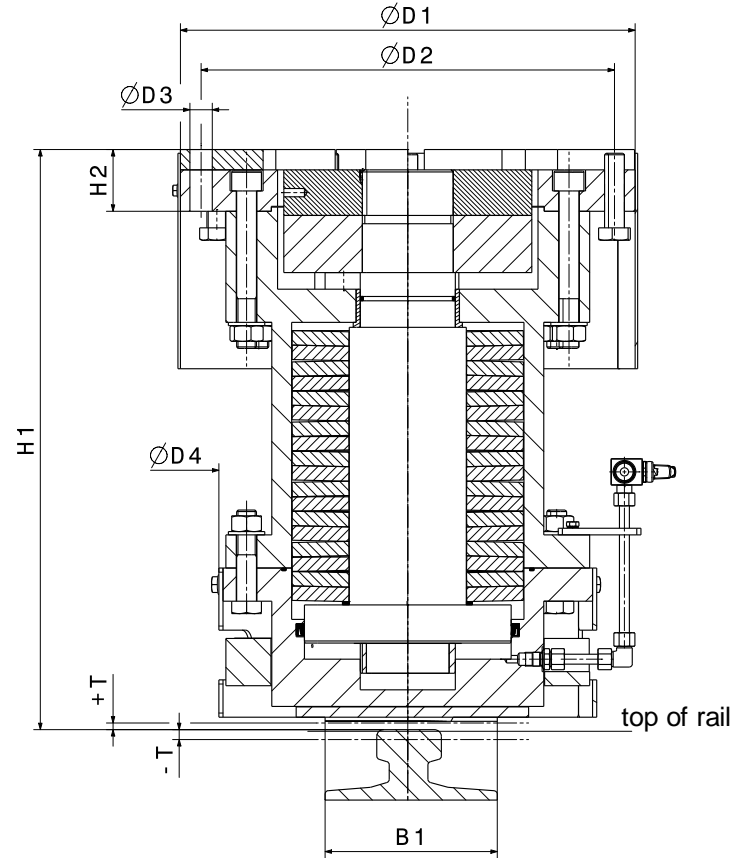
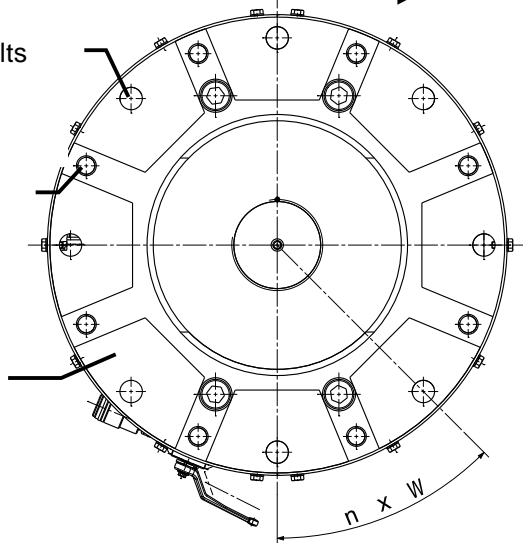


holes for bolts
M24, 10.9

manual
release
screws

manual
release
spacers



Hydraulic supply data

medium: HLP-hydraulic oil DIN 51524-T2
HLP Synth 32 standard

temperature range: (-15°C.....+40°C)

we recommend: SIBRE-hydraulic power packs
V3.D *) for RPS 450
V3.C *) for RPS 600
With electronic control box acc.
data sheet M 1501 264 E

*) max. 4 brakes per power pack
scale drawing upon request

rail brake	H1 mm	H2 mm	B1 mm	+T mm	-T mm	D1 mm	D2 mm	D3 mm	D4 mm	W1	n x W
RPS 450	700	74,5	200	+7,5	-7,5	550	500	27	457	-	8 x 45°
RPS 600	700	74,5	200	+7,5	-7,5	550	500	27	457	-	8 x 45°

rail brake	braking force	braking force at max. rail tolerance +T	-T	requested release pressure	max. operating pressure	hydraulic connection	weight
RPS 450	225 kN	299 kN	148 kN	145 bar	175 bar	1/2%o	655 kg
RPS 600	275 kN	346 kN	200 kN	165 bar	205 bar	1/2%o	655 kg

all dimensions in mm

Änderungen vorbehalten

SIBRE Siegerland-Bremsen GmbH . Auf der Stücke 1-5 . D-35708 Haiger, Germany
Tel.: +49 2773 94000 . Fax: +49 2773 9400-10 . e-mail: info@sibre.de . www.sibre.de