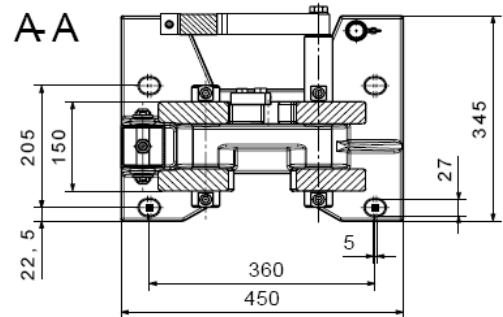


- A1: friction surface per lining = 300 cm²
- D1: theoretical friction diameter
- D2: outer disc diameter
- D3: max. coupling or hub diameter
- B: disc width = 30 mm
- L: R1 + 103 mm



					thruster-type Ed 121/6 = Eldro EB 1250-60 = Elhy		thruster-type Ed 201/6 = Eldro EB 2000-60 = Elhy		thruster-type Ed 301/6 = Eldro EB 3000-60 = Elhy	
weight without thruster: ~315 kg					Braking torque M in Nm with $\mu = 0,35$					
D2	D1	D3	R1	C	M _{min}	M _{max}	M _{min}	M _{max}	M _{min}	M _{max}
560	440	298	140	574	2650	6000	3200	9200	2700	12400
630	530	380	181	615	3200	7250	3850	11100	3250	14950
710	610	455	221	655	3700	8350	4450	12800	3750	17200
800	700	535	266	700	4250	9600	5100	14700	4300	19750
900	790	630	316	750	4750	10800	5750	16550	4850	22250
1000	890	725	366	800	5350	12200	6500	18650	5450	25100
1250	1130	965	491	925	6800	15500	8250	23700	6900	31850