

FGLS - 200

Worm Drive Limit Switches

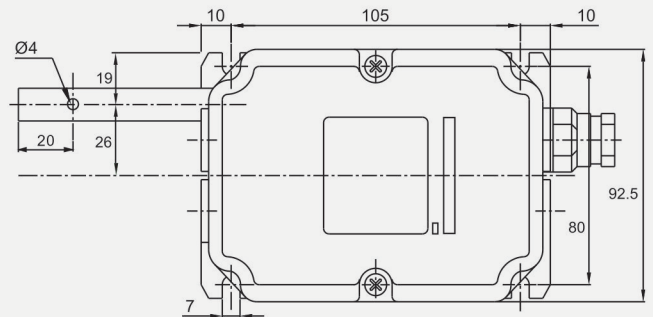
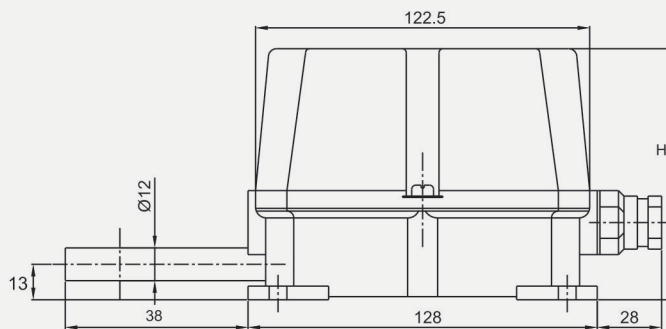
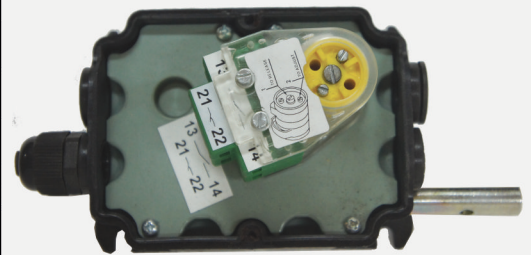
Introduction :

Worm Drive Limit Switches are suitable for use on reversing drives, such as Hoists, Cranes, Winches, Rolling Mills, Theaters, Coke Ovens etc. The driving motion is transmitted by worm gear. All gears and hubs are made of low wear thermoplastic. The rotational movements are transmitted to switches by adjustable cams.



Technical Data :

Body Material	Black GFN
Cover Material Yellow	Impact-proof Thermo- Plastic
Protection Degree	IP-55 IS : 13947 Part 1
Operating Temperature	- 25°C to 70°C
Mounting Position	Any position mounting
Gear Ratios	1:200
Drive	Worm Screw
Cable Entries	Twin, 3/4 " BS Conduit
Input Speed	1200 RPM, Maximum
Contact Material	Double brake, Silver Cadmium(snap)
Wire Connection	Screw terminal contact
Rated voltage	up to 600 V AC
Thermal Test Current	10 A
No. Of Contacts	2 NC OR 4 NC
Mechanical / Electrical Life	1 Million Operations



Code	Ratios	Useful Rotations	2 Contacts Model 2 NC	4 Contacts Model 4 NC
101100050001	1:200	185	FG - 200 P2	FG - 200 P4



Speed-O-Controls Pvt. Ltd.

H. O. Unit - I : C-15/16, Nand Jyot Industrial Estate, Andheri-Kurla Road, Mumbai - 400072,
 Tel : (022) 42469700-30, 28518512-3-4,
 Fax : (022) 42469797/ 28518516,
 E-mail : sales@socgroup.in

Unit - II : Plot No. 4912, G. I. D. C., Phase IV, Vatva, Ahmedabad - 382445
 Tel.: (079) 40083201/2/3/4,
 Fax : (079) 25841056,
 E-mail : sales.amd@socgroup.in

Visit us at :
www.speedocontrols.com
www.socremote.com